



SN-IPV57/80ECDR/B

12MP Fisheye Network Camera



Key Features

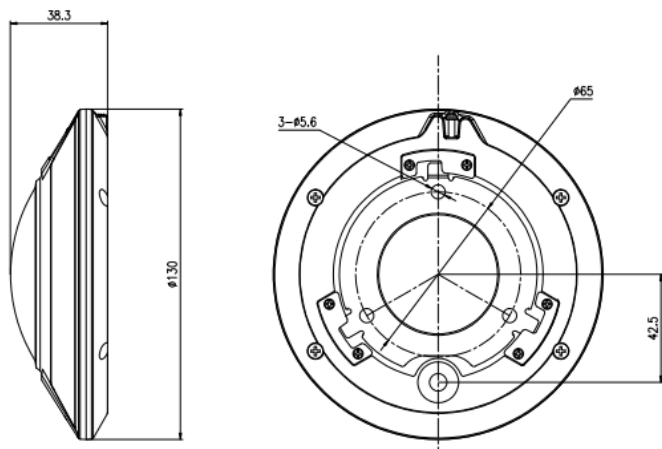
- 1/1.7" progressive scan CMOS
- 20fps @ 12MP(4000×3000)
- Multiple de-warping mode
- Image distortion correction
- Support camera & software de-warping
- DWDR, 3D DNR, ROI, Defog, HLC,IVS
- Smart IR up to 15 m
- IP66

Specification

Camera	
Image Sensor	1/1.7" Progressive Scan CMOS
Effective Pixels	4000(H)×3000(V)
Electronic Shutter	Auto/Manual, 1/5 ~ 1/20,000s
Min. illumination	Color: 0.009 Lux @ (F1.2,AGC ON) B/W: 0 Lux @ (IR LED ON)
S/N Ratio	55dB
Day/Night	Auto(ICR)
Wide Dynamic Range	DWDR
IR Range	Up to 15 m (49.2 ft)
IR On/Off Control	Auto/ Manual
Lens	
Lens Type	Fixed
Iris	Fixed Iris
Focal Length	1.83 mm
F Number	F2.4
Angle of View	180°×180°
Focus Control	Fixed
Video	
Max. Resolution	12MP (4000×3000)
Streaming Capability	2 Streams
Stream/Frame Rate	Stream1: 4000×3000 @20fps, 4096×2160, 3840×2160, 3000×3000, 2560×2560, 1920×1080 @25/30fps Stream2: 1280×960, D1, 720×720 @25/30fps
Bit Rate Control	CBR/VBR
Bit Rate	Stream1: 500kbps~16000kbps Stream2: 100kbps~8000kbps
Image Enhancement	HLC/BLC/Defog
White Balance	Auto
Gain Control	Auto/Manual
Mirror	Support
Noise Reduction	2D/3D DNR
Aisle Mode	Support
Region of Interest	Off/On (8 Zone, Rectangle)
Motion Detection	Support
Privacy Masking	Support

Audio	
Compression	G.711, RAW_PCM
Bit Rate	8kbps, 16kps, 64kbps
Network	
Protocols	IPv4/IPv6, 802.1x, HTTP, HTTPS, TCP/IP, UDP/IP, RTSP, DHCP, NTP, RTP/RTCP, PPPoE, SMTP, DNS, UPnP, FTP, ARP, SNMP, TLS/SSL
Interoperability	ONVIF, SDK, CGI
Streaming Method	Unicast
Max. User Access	10 Users
Web Viewer	<IE11, Chrome, Firefox
Management Software	SunView
Intelligence	
IVS	Intrusion, Single line crossing, Double line crossing, Loitering, Multi Loitering, Object Left, Object Removed, Abnormal Speed, Wrong way, Illegal Parking, Signal Bad
Interface	
Ethernet	1 Ethernet (10/100 Base-T) RJ-45 Connector
Audio	1ch Input, 1ch Output, Built-in 1ch Mic
Alarm	1ch Input, 1ch Output
Reset Button	Support
Storage	Built-in Micro SD slot, up to 128G
Electrical	
Power Supply	DC12V/POE (IEEE 802.3af)
Power Consumption	Max 9 W
Operating Temperature	Starting Temperature: -30°C ~ 60°C (-22°F ~ 140°F) Working Temperature: -40°C ~ 60°C (-40°F ~ 140°F)
Operating Humidity	Less than 90% RH
Ingress Protection	IP66
Certifications	CE/FCC
Casing	Metal
Dimensions	Φ 130 × 38.3 mm (Φ5.12" × 1.51")
Net Weight	0.5 kg (1.10 lb)

Dimensions(mm)



Accessories

Optional:



SN-CBK645A
Junction Box



SN-CBK623B
Pendant Mount



SN-CBK627D
Pole Mount