



SN-IPR5142HZBN-B

4MP IR Turret Network Camera



Key Features

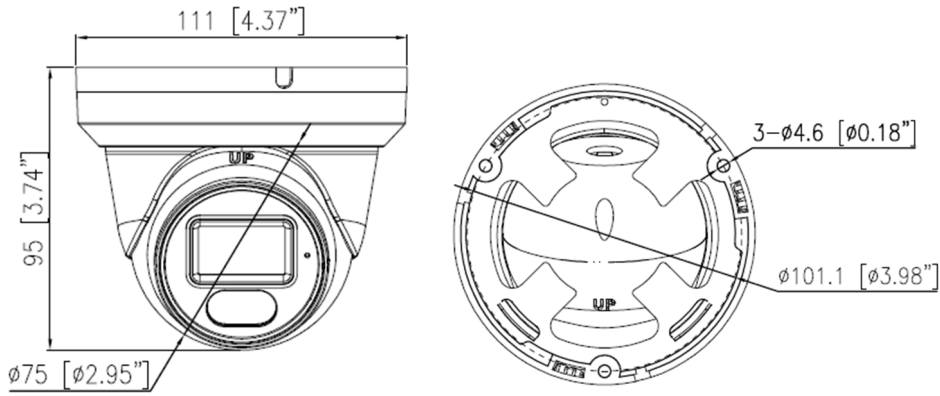
- 1/3" progressive scan CMOS
- 4 mm fixed lens (2.8mm optional)
- Max resolution 2560×1440 @25fps
- DWDR, 3D DNR, HLC, BLC, Defog
- Support intrusion and line crossing based on human detection
- Smart IR distance up to 30m
- Built-in microphone
- Built-in SD card slot
- 12V DC/PoE power supply
- PoE, IP66

Specification

Camera	
Image Sensor	1/3" Progressive Scan CMOS
Electronic Shutter	Auto/Manual, 1/5 ~ 1/20,000s
Min. illumination	Color: 0.1 Lux @ (F1.6, AGC ON) , B/W: 0 Lux @ (IR LED ON)
S/N Ratio	55 dB
Day & Night	IR cut filter
IR Distance	Up to 30 m (98.4 ft)
IR On/Off Control	Auto/Manual
Pan/Tilt/Rotation Range	Pan: 0° ~ 360°, Tilt: 0° ~ 85°, Rotation: 0° ~ 360°
Lens	
Lens Type	Fixed focal
Iris	Fixed Iris
Focal Length	2.8 mm 4 mm
F Number	F2.0 F1.6
Angle of View	H: 92.9°, V: 50.4° H: 79.3°, V: 40.7°
Video	
Max. Resolution	2560(H)×1440(V)
Streaming Capability	2 Streams
Main Stream	2560×1440, 2304×1296, 1920×1080, 1280×720 @ 25fps
Sub Stream	704×576, 640×360, 480×360, 352×288 @ 25fps
Bit Rate Control	CBR/VBR
Bit Rate	Main Stream: 512kbps ~ 6144kbps Sub Stream: 128kbps ~ 1536kbps
Image	
Image Adjustment	Brightness, Sharpness, Contrast, Saturation
White Balance	Auto/Manual
Mirror	Support
Exposure Mode	Auto/Manual
Day/Night Setting	Auto, Day, Night, Timing
Noise Reduction	2D/3D NR
Image Enhancement	HLC, BLC, Defog
Wide Dynamic Range	DWDR
Privacy Masking	Support

Event	
Motion Detection	Support
Intelligent Analysis	Intrusion and Line crossing detection based on human detection
Network	
Protocols	IPv4, RTSP/RTP/RTCP, TCP/UDP,DHCP, DNS, DDNS, UPNP, ICMP, IGMP, NTP, SMTP, 802.1x, SNMP, HTTP/HTTPS, PPPOE
Interface Protocol	ONVIF, SDK
Max. User Access	4 Users
Web Viewer	<IE11, Chrome, Firefox, Microsoft Edge
Language	English, Chinese (Simplified), French, Korean, Polish, Italian, Spanish, German, Hungarian, Russian, Vietnamese, Thai, Danish, Czech, Slovak, Indonesian, Portuguese, Dutch, Hebrew, Arabic
Interface	
Network Interface	1 Ethernet (10/100 Base-T) RJ-45 Connector
Built-in Microphone	Support
SD Card Slot	Built-in, up to 256GB
Reset Button	Support
Electrical	
Power Supply	DC12V (-15%~+25%)/POE (IEEE 802.3af)
Power Consumption	Max 4.5 W
Operating Temperature	-25°C ~ 55°C (-13°F ~ 131°F)
Operating Humidity	Less than 90% RH
Ingress Protection	IP66
Certifications	CE/FCC
Casing	Metal + Plastic
Dimensions	Φ111 × 95mm
Net Weight	0.35 kg (0.77 lb)

Dimensions (mm)



Accessories

Optional:



Junction Box
SN-CBK646M



Pendant Cap
SN-CBK202A



Ceiling Mount
SN-CBK402



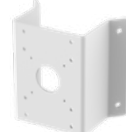
Wall Bracket
SN-CBK501



Wall Mount
SN-CBK502



Pole Mount
SN-CBK101



Corner Mount
SN-CBK102